



PLG

Platinum Lighting Group

Outdoor Catalog

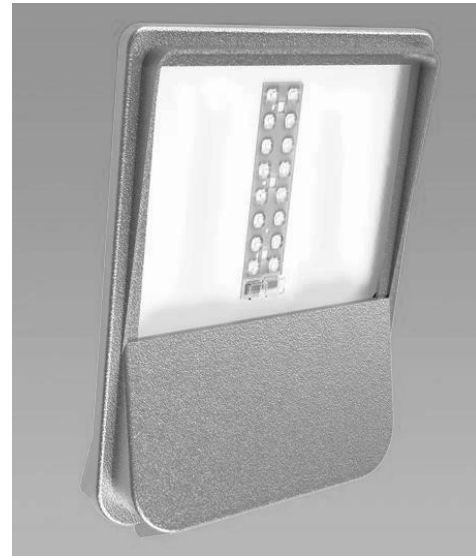
MODEL:

PLG-LED-55-HLC-HB65-CT

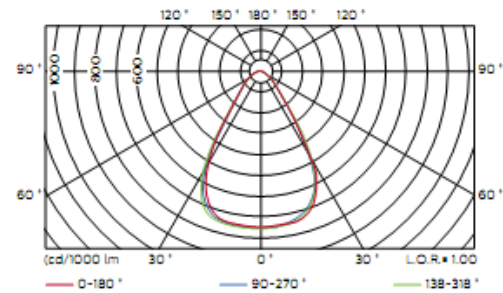
CHARACTERISTICS

A projector-type lighting unit designed for installation at the top of a pole or on a wall, featuring a rotation system for adjusting the luminaire to various positions. The housing is made of enameled cast aluminum and coated with electrostatically applied baked powder paint.

- It includes a diffuser made of tempered glass.
- The reflector is made of cold-rolled iron sheet and finished with white electrostatic powder paint.
- The LED module holder is made of aluminum sheet and finished with white electrostatic powder paint.
- It comes with a clamp for attaching it to the pole and another clamp to allow adjustment of the luminaire's direction on an iron plate.



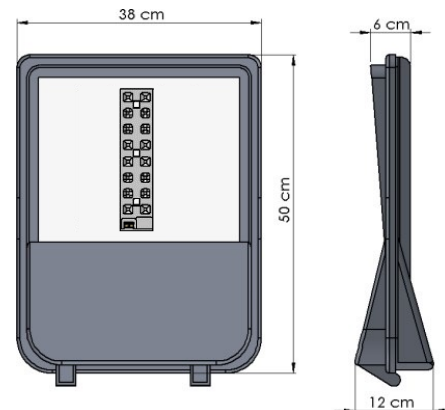
PHOTOMETRIC DATA



TECHNICAL DATA

LED Modules	1
Power	55W
Color Temperature	4000 K
Lumens	5500
Average Life	50,000 hours

DIMENSIONS



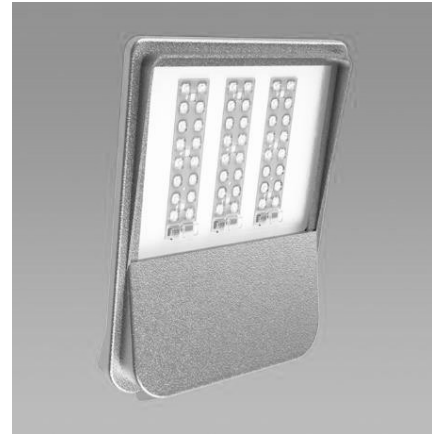
MODEL:

PLG-LED-90-HLC-HB65-CT

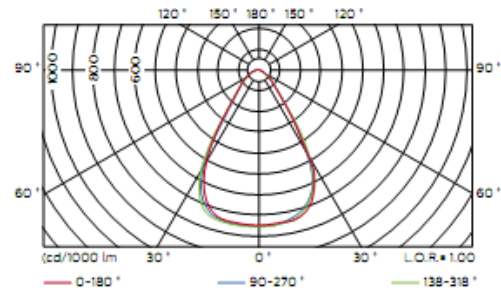
CHARACTERISTICS

A projector-type lighting unit designed for installation at the top of a pole or on a wall, featuring a rotation system for adjusting the luminaire to various positions. The housing is made of enameled cast aluminum and coated with electrostatically applied baked powder paint.

- It includes a diffuser made of tempered glass.
- The reflector is made of cold-rolled iron sheet and finished with white electrostatic powder paint.
- The LED module holder is made of aluminum sheet and finished with white electrostatic powder paint.
- It comes with a clamp for attaching it to the pole and another clamp to allow adjustment of the luminaire's direction on an iron plate.



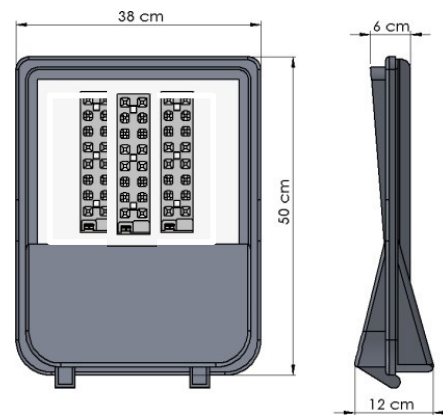
PHOTOMETRIC DATA



TECHNICAL DATA

LED Modules	1
Watts	90W
Color Temperature	4000 K
Lumens	10000
Average Life	50,000 hours

DIMENSIONS



MODEL:

PLG-LED-120-HLC-HB65-CT

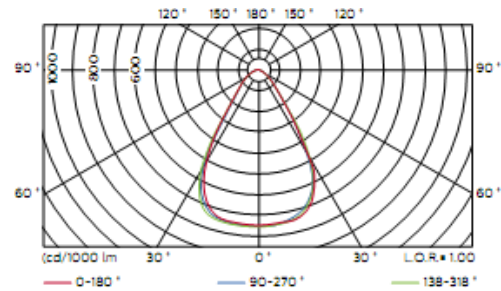
CHARACTERISTICS

A projector-type lighting unit designed for installation at the top of a pole or on a wall, featuring a rotation system for adjusting the luminaire to various positions. The housing is made of enameled cast aluminum and coated with electrostatically applied baked powder paint.

- It includes a diffuser made of tempered glass.
- The reflector is made of cold-rolled iron sheet and finished with white electrostatic powder paint.
- The LED module holder is made of aluminum sheet and finished with white electrostatic powder paint.
- It comes with a clamp for attaching it to the pole and another clamp to allow adjustment of the luminaire's direction on an iron plate.



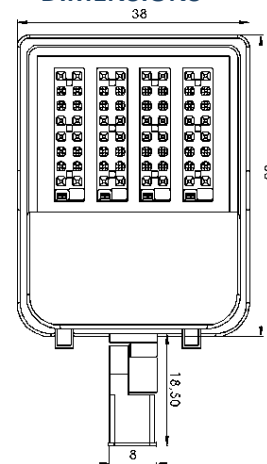
PHOTOMETRIC DATA



TECHNICAL DATA

LED Modules	4
Watts	120W
Color Temperature	4000 K
Lumens	15000
Average Life	50,000 hours

DIMENSIONS



MODEL:

PLG-LED-38-RFL-SS-DIR-PLT

CHARACTERISTICS

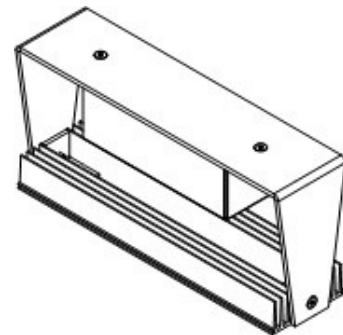
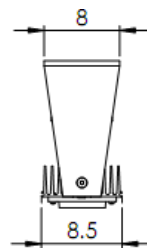
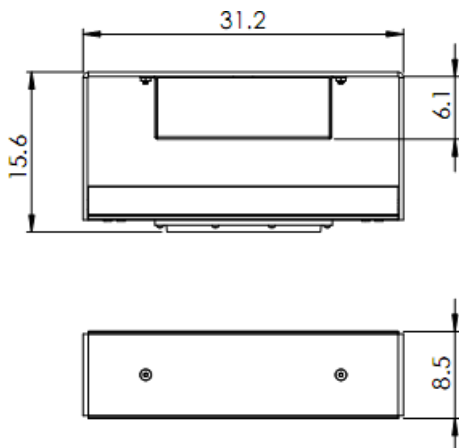
A suspended lighting unit with a LED reflector system. The holding arm is made of aluminum sheet, and the driver housing is made of 22-gauge steel sheet with an extruded aluminum heat sink. It is coated with electrostatically applied baked powder paint, finished in silver color. The base for the LED module is made of extruded aluminum.



TECHNICAL DATA

LED Modules	1
Watts	38W
Color Temperature	4000 K
Lumens	3900
Average Life	50,000 hours

DIMENSIONS



MODEL:

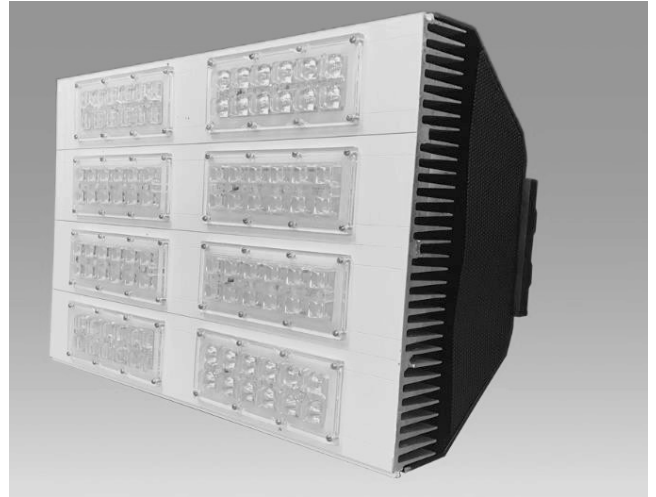
PLG-LED-300-HEL-5036-SP-DIR

CHARACTERISTICS

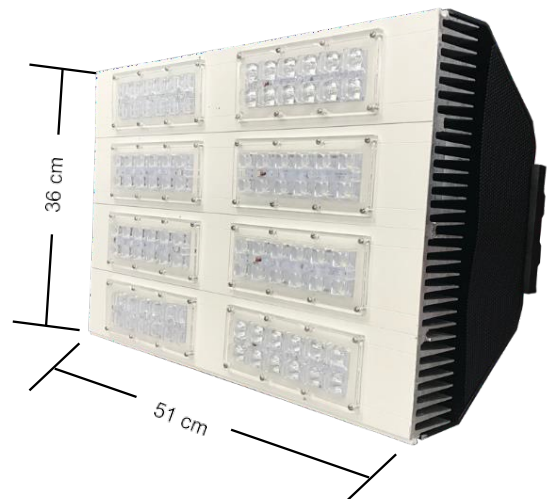
A suspended lighting unit with a LED reflector system. The holding arm is made of aluminum sheet, and the driver housing is made of 22-gauge steel sheet with an extruded aluminum heat sink. It is coated with electrostatically applied baked powder paint, finished in silver color. The base for the LED module is made of extruded aluminum.

TECHNICAL DATA

LED Modules	8
Watts	300W
Color Temperature	4000 K
Lumens	31000
Average Life	50,000 hours



DIMENSIONS

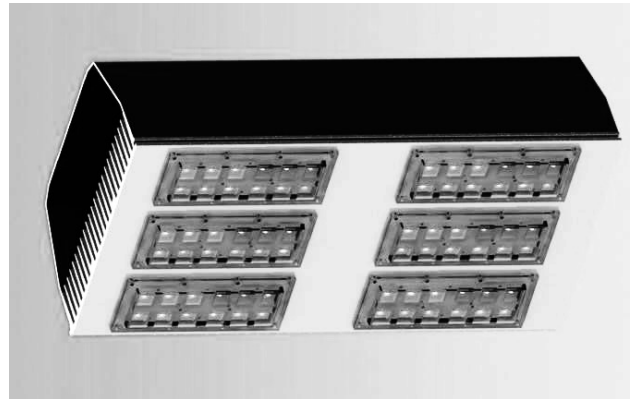


MODEL:

PLG-LED-200-HEL-5027-SP-DIR

CHARACTERISTICS

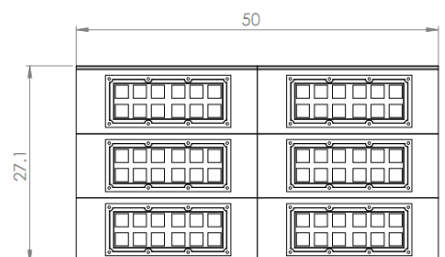
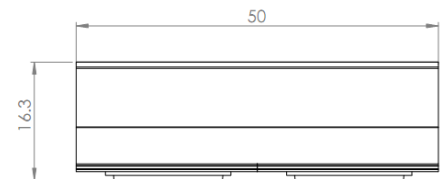
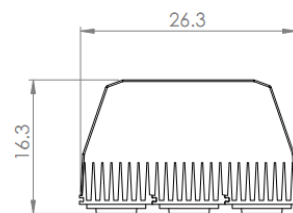
A lighting unit with a LED projector system. The driver housing is made of aluminum sheet and coated with electrostatically applied baked powder paint. The base for the LED module is made of extruded aluminum.



TECHNICAL DATA

LED Modules	6
Watts	200W
Color Temperature	4000 K
Lumens	20,000
Average Life	50,000 hours

DIMENSIONS



MODEL:

PLG-LED-38-RFL-SS-DIR

CHARACTERISTICS

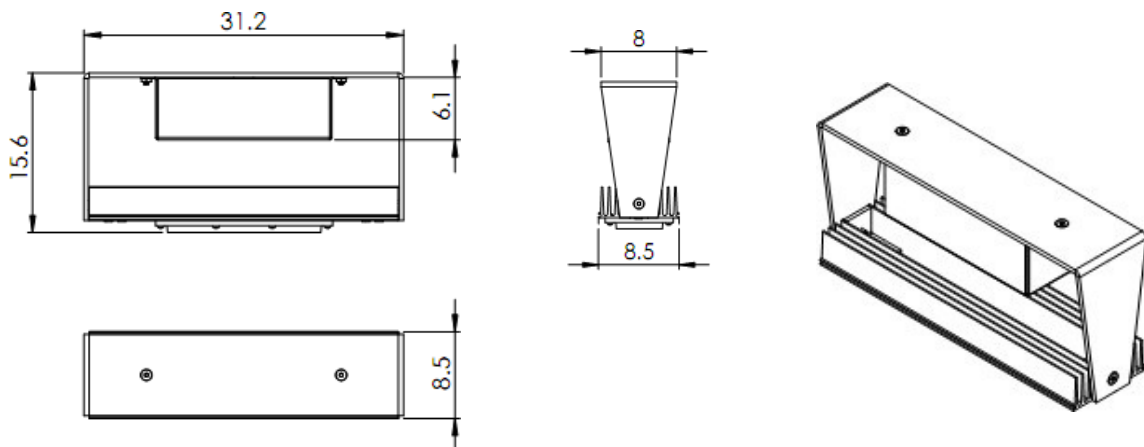
A suspended lighting unit with a LED reflector system. The holding arm is made of aluminum sheet, and the driver housing is made of 22-gauge steel sheet with an extruded aluminum heat sink. It is coated with electrostatically applied baked powder paint, finished in black color. The base for the LED module is made of extruded aluminum



TECHNICAL DATA

LED Modules	1
Watts	38W
Color Temperature	4000 K
Lumens	3,900
Average Life	50,000 hours

DIMENSIONS



MODEL:

PLG-LED-70-WPK1-HB65-ACR-GRD

CHARACTERISTICS

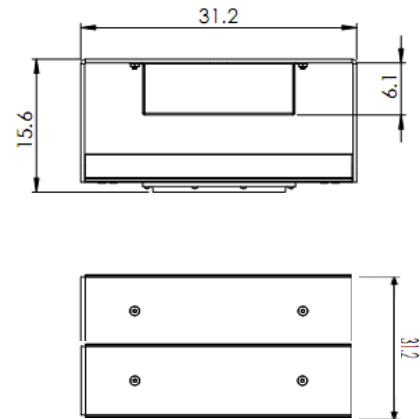
A LED reflector lighting unit designed for wall mounting or suspension, with a driver housing made of 22-gauge steel sheet. It has been treated with chemicals to remove grease stains, coated with polyester powder resin using a special pre-treatment for a corrosion-resistant finish, applied through an electrostatic process, and oven-dried. It is available in black or silver color. The optics are made of plexiglass, and it features a silicone seal with IP-65 protection rating. The base for the LED module is made of extruded aluminum



TECHNICAL DATA

LED Modules	2
Watts	70W
Color Temperature	5000 K
Lumens	7300
Average Life	50,000 hours

DIMENSIONS



MODEL:

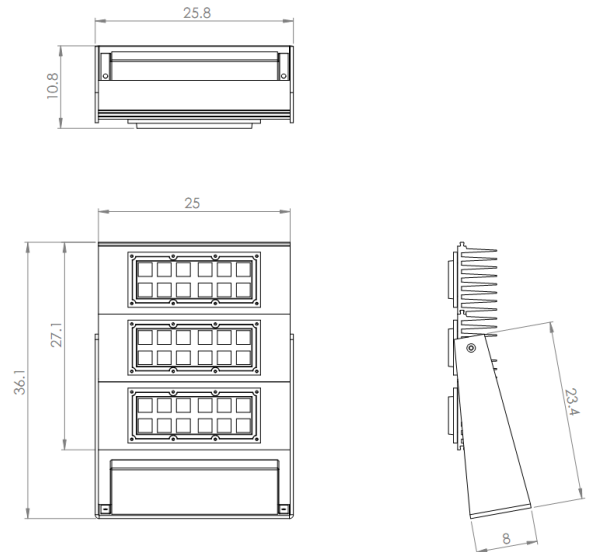
PLG-LED-90-WPK1-HB65-ACR-GRD

CHARACTERISTICS

A LED reflector lighting unit designed for wall mounting or suspension, with a driver housing made of 22-gauge steel sheet. It has been treated with chemicals to remove grease stains, coated with polyester powder resin using a special pre-treatment for a corrosion-resistant finish, applied through an electrostatic process, and oven-dried. It is available in black or silver color. The optics are made of plexiglass, and it features a silicone seal with IP-65 protection rating. The base for the LED module is made of extruded aluminum



DIMENSIONS



TECHNICAL DATA

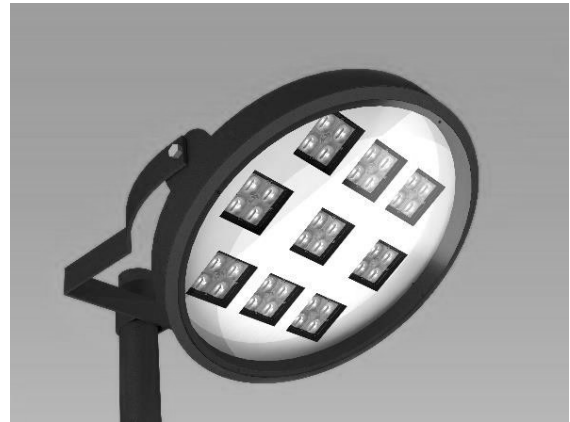
LED Modules	3
Watts	90W
Color Temperature	5000 K
Lumens	9850
Average Life	50,000 hours

MODEL:

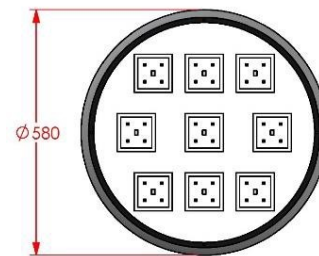
PLG-LED-500-HLS-AP-90

CHARACTERISTICS

The luminaire is manufactured with an aluminum casting frame and housing, finished with airtight electrostatically applied powder paint in black, brown, or gray color. The body of the luminaire serves as a heat sink for better thermal control of the LED modules. It features a 3mm thick clear tempered glass diffuser. The optical component is made of PMMA polymer. The luminaire is sealed tightly, providing an IP65 waterproof rating.



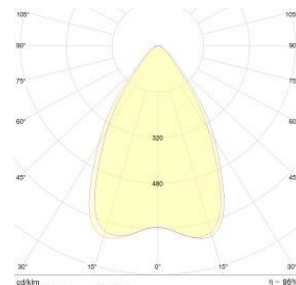
DIMENSIONS



TECHNICAL DATA

LED Modules	9
Watts	500W
Color Temperature	4000 K
Lumens	61,000
Average Life	50,000 hours

PHOTOMETRIC DATA



MODEL:

PLG-LED-100-HBP-43-SS-CT

CHARACTERISTICS

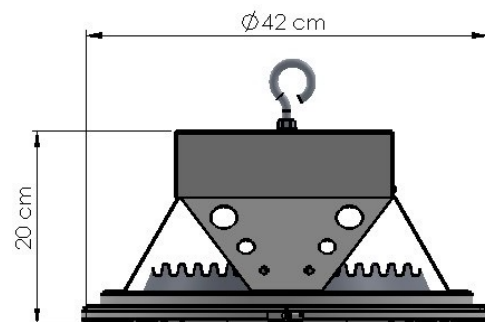
The High Bay lighting unit features a LED lighting system. The housing for drivers and separator support are made of cold-rolled steel sheet, with a finish of electrostatically applied powder paint in white color with 93% reflectance. The reflector is a Compact Bell type, manufactured with aluminum sheet. It includes a clear tempered glass diffuser. The heat sink is made of cast aluminum to enhance the efficiency of the electrical system. The main reflection mask is made of cold-rolled steel sheet, with a gauge of 20 and finished with electrostatically applied powder paint in white color. It comes with a rolled steel hook for surface hanging.



TECHNICAL DATA

LED Modules	4
Watts	100W
Color Temperature	4000 K
Lumens	10,500
Average Life	50,000 hours

DIMENSIONS



MODEL:

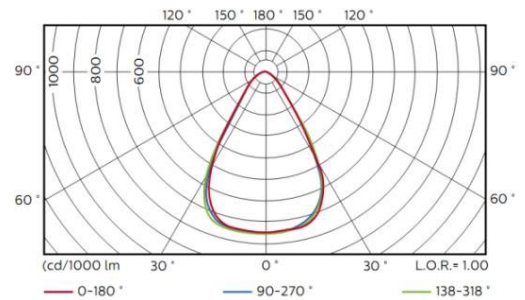
PLG-LED-80-HBP-43-SS-CT

CHARACTERISTICS

The High Bay lighting unit features a LED lighting system. The housing for drivers and separator support are made of cold-rolled steel sheet, with a finish of electrostatically applied powder paint in white color with 93% reflectance. The reflector is a Compact Bell type, manufactured with aluminum sheet. It includes a clear tempered glass diffuser. The heat sink is made of cast aluminum to enhance the efficiency of the electrical system. The main reflection mask is made of cold-rolled steel sheet, with a gauge of 20 and finished with electrostatically applied powder paint in white color. It comes with a rolled steel hook for surface hanging.



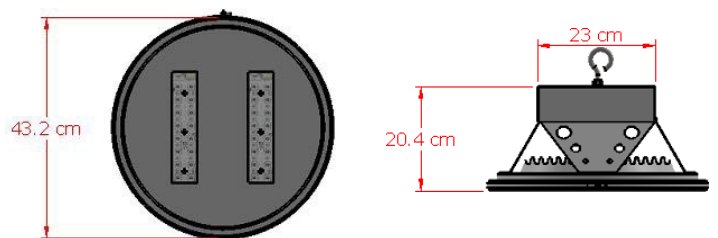
PHOTOMETRIC DATA



TECHNICAL DATA

LED Modules	2
Watts	80W
Color Temperature	4000 K
Lumens	8,500
Average Life	50,000 hours

DIMENSIONS

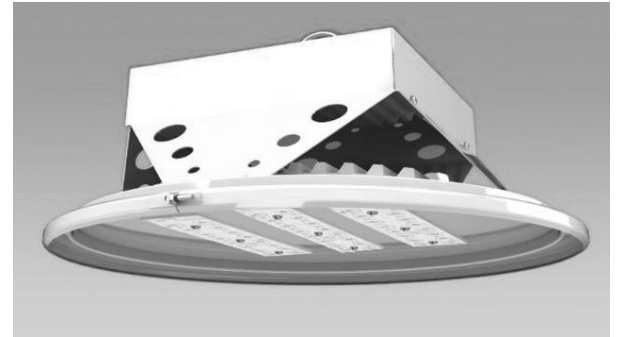


MODEL:

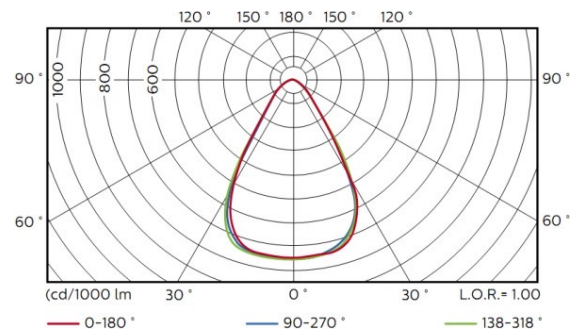
PLG-LED-90-HBP-43-SS-CT

CHARACTERISTICS

The High Bay lighting unit features a LED lighting system. The housing for drivers and separator support are made of cold-rolled steel sheet, with a finish of electrostatically applied powder paint in white color with 93% reflectance. The reflector is a Compact Bell type, manufactured with aluminum sheet. It includes a clear tempered glass diffuser. The heat sink is made of cast aluminum to enhance the efficiency of the electrical system. The main reflection mask is made of cold-rolled steel sheet, with a gauge of 20 and finished with electrostatically applied powder paint in white color. It comes with a rolled steel hook for surface hanging.



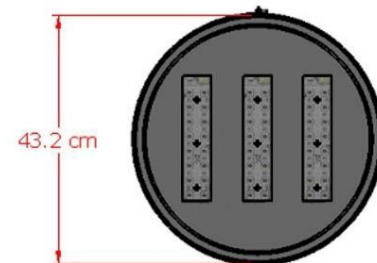
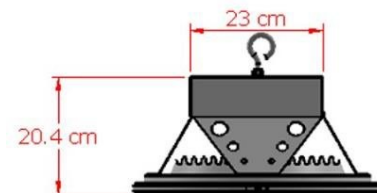
PHOTOMETRIC DATA



TECHNICAL DATA

LED Modules	3
Watts	90W
Color Temperature	4000 K
Lumens	11,400
Average Life	50,000 hours

DIMENSIONS



MODEL:

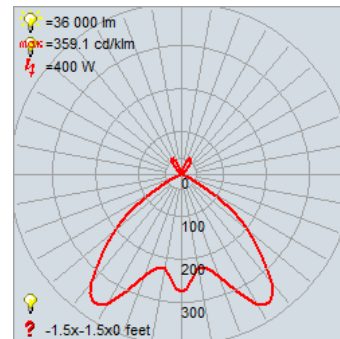
PLG-LED-36-HBC-31-SS-CT

CHARACTERISTICS

The lighting unit is a Bell-type fixture with LED lighting system. The driver housing is made of cold-rolled steel sheet, coated with electrostatically applied powder paint in white color with 93% reflectance. The diffuser is a 16" prismatic acrylic bell, designed to be shock-resistant and treated against UV rays, with a 10-year warranty against yellowing. It includes a heat sink disc made of cast aluminum to enhance the efficiency of the electrical system. The main mask and circular reflector are recessed in 20-gauge cold-rolled steel sheet, finished with electrostatically applied powder paint in white color.



PHOTOMETRIC DATA



TECHNICAL DATA

LED Modules	1
Watts	36W
Color Temperature	4000 K
Lumens	4,100
Average Life	50,000 hours

DIMENSIONS



MODEL:

MD-LED-150-DLT-SP-4040

CHARACTERISTICS

The High Bay lighting unit features an LED lighting system. The housing for drivers and separator support are made of cold-rolled steel sheet, with a finish of electrostatically applied powder paint in black color. The reflector is a Compact Bell type, manufactured with aluminum sheet. It includes an Opal diffuser. The heat sink is made of cast aluminum to enhance the efficiency of the electrical system. The main reflection mask is made of cold-rolled steel sheet, with a gauge of 20 and finished with electrostatically applied powder paint in white color. It comes with a rolled steel surface hanging hook.

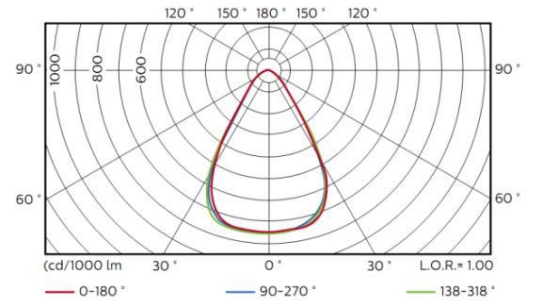


TECHNICAL DATA

LED Modules	4
Watts	150W
Color Temperature	4000 K
Lumens	17,100
Average Life	50,000 hours



PHOTOMETRIC DATA



DIMENSIONS

MODEL:

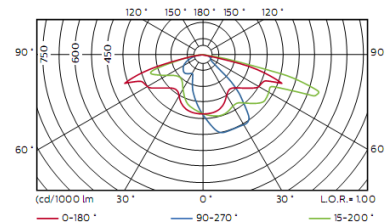
PLG-LED-55-CTZ-II-ACR-GRIS

CHARACTERISTICS

The lighting unit is designed for outdoor use in roadways and features an LED system for installation on a metal arm. The luminaire housing is made of cast aluminum, coated with electrostatically applied baked powder paint, and finished in a light gray color. It includes aluminum fins for heat dissipation generated by the LED modules. It comes with a circular coupling and stainless steel screws for anchoring to a 1 ½" diameter arm. The unit is equipped with anti-vandalism screws for added security and has a UV coating. It also includes a base for a photocell.



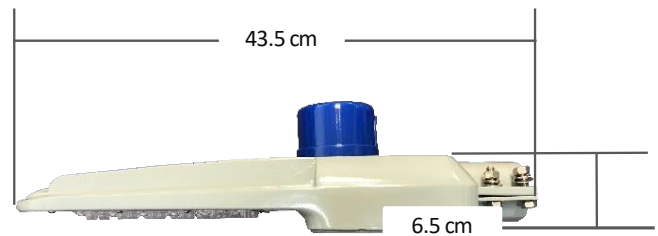
PHOTOMETRIC DATA



TECHNICAL DATA

Color	Grey
Photocell base	Included
Input Voltage	120-277 V
CRI	>70

DIMENSIONS



MODEL:

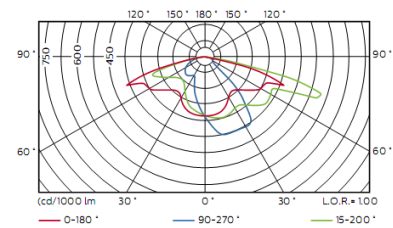
PLG-60-LED-CITY-AP-II-CT (BLACK OR GREY)

CHARACTERISTICS

The lighting unit is designed for outdoor use in roadways and features an LED system for installation on a metal arm. The luminaire housing is made of cast aluminum, coated with electrostatically applied baked powder paint, and finished in a light gray color. It includes aluminum fins for heat dissipation generated by the LED modules. It comes with a circular coupling and stainless steel screws for anchoring to a 1 ½" diameter arm. The unit is equipped with anti-vandalism screws for added security and has a UV coating. It also includes a base for a photocell.



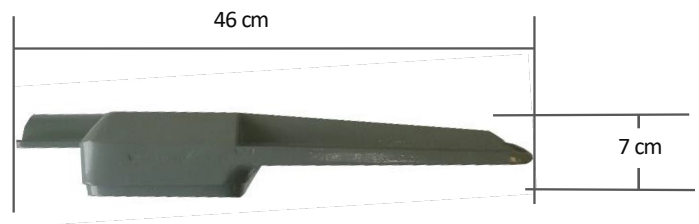
PHOTOMETRIC DATA



TECHNICAL DATA

Efficacy	136 lm/W		
Power	60W	Color	Grey
Lumens	8200 lm	Photocell base	Included
Color Temperature	5000 K	Input Voltage	120-277 V
Light distribution	II	CRI	>70
IP	IP66	Surge Protector	10 KVA

DIMENSIONS



MODEL:

PLG-LED-55-CTZ-II-ACR (BLACK OR GREY)

CHARACTERISTICS

The lighting unit is designed for outdoor use in roadways and is equipped with an LED system for installation on a metal arm. The luminaire housing is made of cast aluminum, coated with electrostatically applied baked powder paint, and finished in a light gray color. It features aluminum fins for heat dissipation generated by the LED modules. The unit includes a circular coupling with stainless steel screws for anchoring to a 1 ½" diameter arm. The main mask is made of cold-rolled steel sheet and finished with electrostatically applied powder paint in white color.

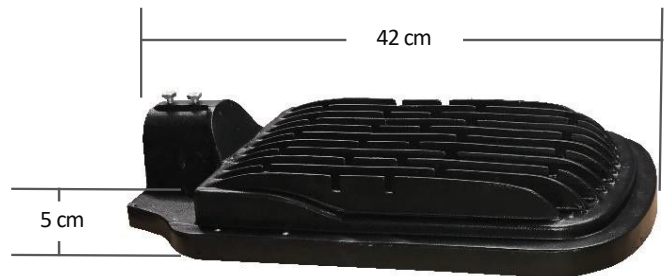


TECHNICAL DATA

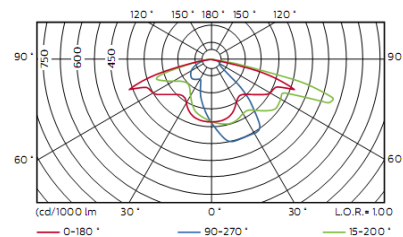
Efficacy	108 lm/W
Power	55W
Lumens	5529 lm
Color Temperature	4000 K
Light distribution	II
IP	IP66

Color	Grey
Photocell base	Included
Input Voltage	120-277 V
CRI	>70

DIMENSIONS



PHOTOMETRIC DATA





MODEL:

PLG-LED-150-DMT-AP-III-CT

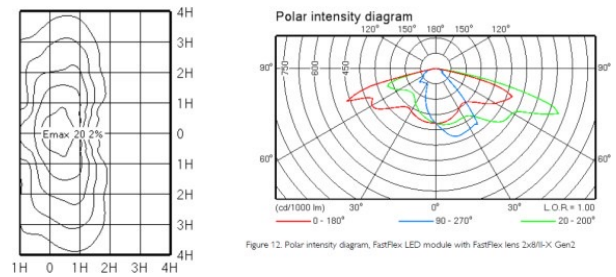
PLG-LED-170-DMT-AP-III-CT

CHARACTERISTICS

The frame and hinged cover are manufactured using cast aluminum, finished with airtight electrostatically applied powder paint. The body of the unit serves as a heat sink to improve the efficiency of the LED modules. It features a 4mm thick clear tempered glass diffuser.



PHOTOMETRIC DATA



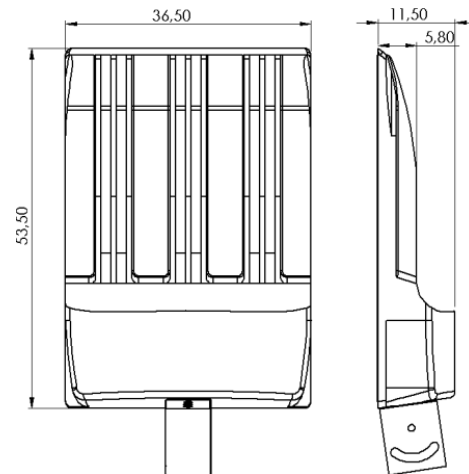
TECHNICAL DATA

LED Modules	4
Watts	150W
Color Temperature	4000 K
Lumens	16,000
Average Life	50,000 hours

TECHNICAL DATA

LED Modules	5
Watts	170W
Color Temperature	4000 K
Lumens	18,500
Average Life	50,000 hours

DIMENSIONS



MODELO:

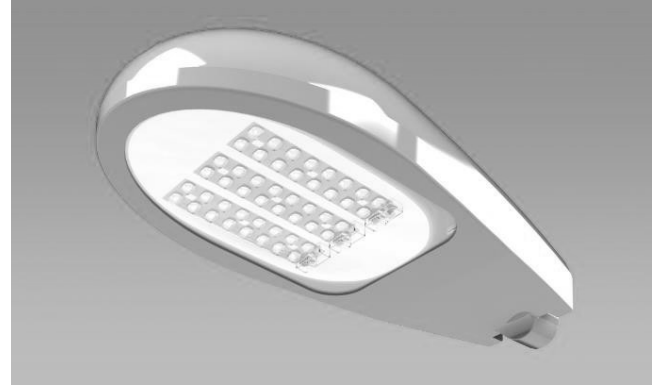
PLG-LED-120-OV15-AP-III-CT

CHARACTERISTICS

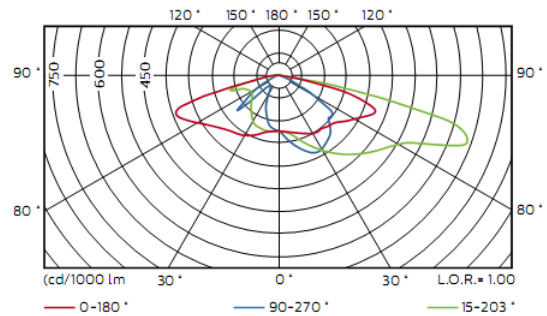
The lighting unit features an LED system for public lighting. The frame and gate are made of cast aluminum through injection molding. The heat sink for the LEDs is made of cast aluminum. The diffuser is a 4mm thick impact-resistant clear tempered glass. The reflector is a mask-type made of 22-gauge cold-rolled steel sheet, finished with electrostatically applied powder paint in white color. It has an IP65 protection rating, indicating its resistance to dust and water ingress.

TECHNICAL DATA

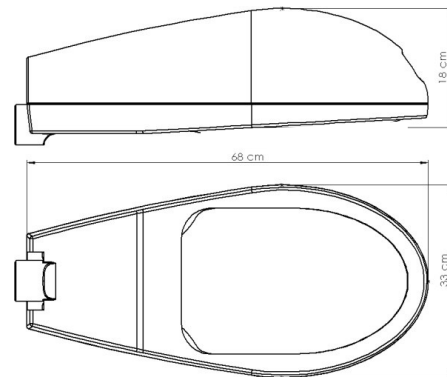
LED Modules	3
Watts	120W
Color Temperature	4000 K
Lumens	13,000
Light distribution	Type II
Average Life	50,000 hours



PHOTOMETRIC DATA



DIMENSIONS



MODEL:

PLG-LED-40-MTP-AP-III-CT

CHARACTERISTICS

The lighting unit is designed for outdoor use in roadways and is equipped with an LED system for installation on a metal arm. The luminaire housing is made of aluminum through injection molding, coated with electrostatically applied baked powder paint. The mask is made of cold-rolled steel sheet and finished with electrostatically applied powder paint in white color.

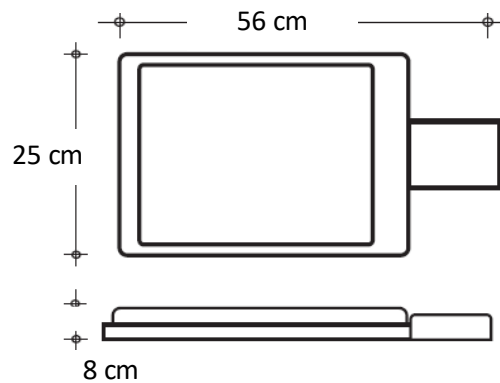
It features a 3mm thick clear tempered glass diffuser. It is installed on a neoprene gasket with perimeter epoxy resin to achieve an IP65 waterproof rating, ensuring its hermeticity against dust and water ingress.

TECHNICAL DATA

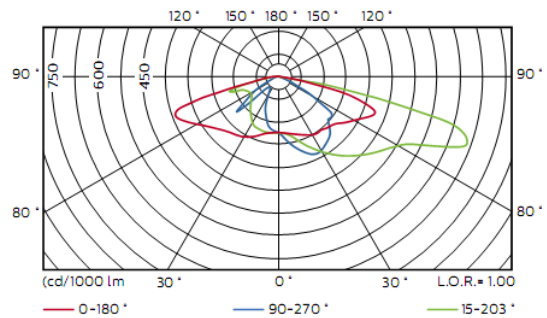
LED Modules	1
Watts	40W
Color Temperature	4000 K
Lumens	4,600
Average Life	50,000 hours



DIMENSIONS



PHOTOMETRIC DATA



MODEL:

PLG-LED-125-MTP-AP-II-CT

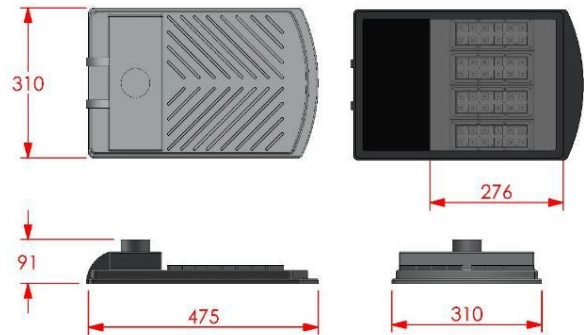
CHARACTERISTICS

The lighting unit is designed for outdoor use in roadways and is equipped with an LED system for installation on a metal arm. The luminaire housing is made of aluminum through injection molding, coated with electrostatically applied baked powder paint. The mask is made of cold-rolled steel sheet and finished with electrostatically applied powder paint in white color.

It features a 3mm thick clear tempered glass diffuser. It is installed on a neoprene gasket with perimeter epoxy resin to achieve an IP65 waterproof rating, ensuring its hermeticity against dust and water ingress.



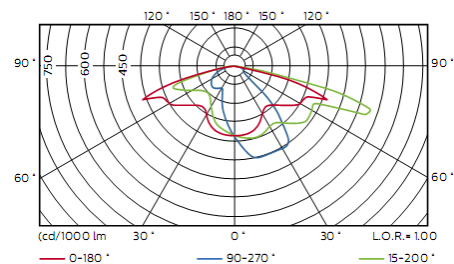
DIMENSIONS



TECHNICAL DATA

LED Modules	4
Watts	125W
Color Temperature	4000 K
Lumens	14,000
Average Life	50,000 hours

PHOTOMETRIC DATA

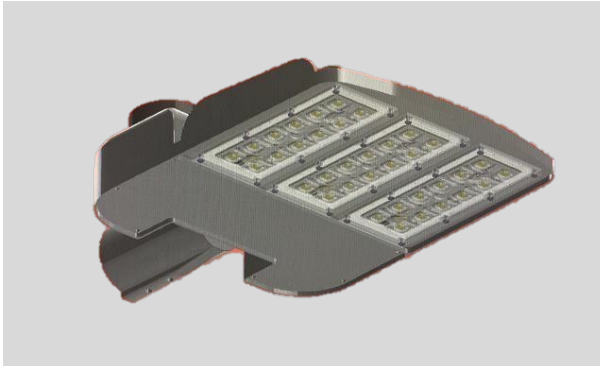


MODEL:

PLG-LED-110-CTL-AP-II

CHARACTERISTICS

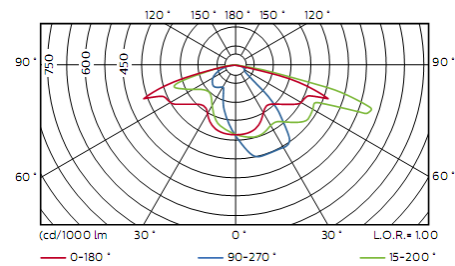
The lighting unit is designed for outdoor use in roadways and is equipped with an LED system for installation on a metal arm. The luminaire housing is made of aluminum through injection molding, coated with electrostatically applied baked powder paint. It has an IP65 protection rating, indicating its resistance to dust and water ingress.



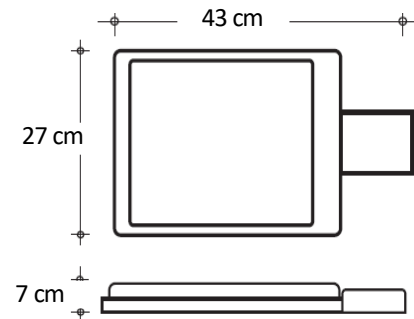
TECHNICAL DATA

LED Modules	3
Watts	110W
Color Temperature	5000 K
Lumens	13,000
Average Life	50,000 hours

PHOTOMETRIC DATA



DIMENSIONS



MODEL:

PLG-LED-125-CTL-AP-II

CHARACTERISTICS

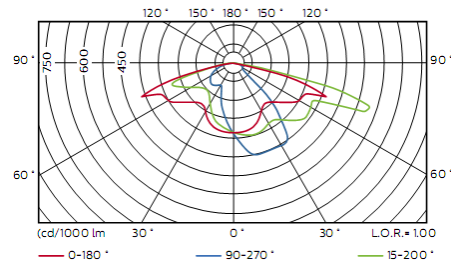
The lighting unit is designed for outdoor use in roadways, featuring an LED system for installation on a metal arm. The luminaire housing is made of aluminum through injection molding and is coated with electrostatically applied baked powder paint. It has an IP65 protection rating, which means it is highly resistant to dust and water, making it suitable for outdoor environments.



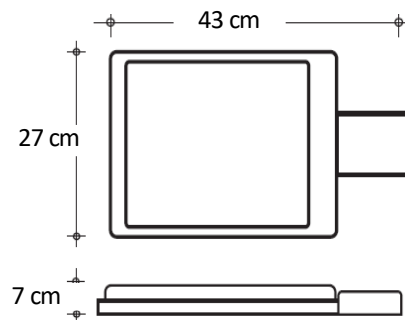
TECHNICAL DATA

LED Modules	4
Watts	125W
Color Temperature	5000 K
Lumens	14,300
Average Life	50,000 hours

PHOTOMETRIC DATA



DIMENSIONS



MODEL:

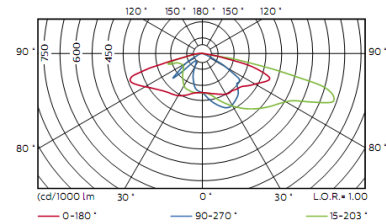
PLG-LED-110-CSM-AP-III

CHARACTERISTICS

The lighting unit is designed for outdoor use in roadways and is equipped with an LED system for installation on a metal arm. The luminaire housing is made of aluminum and is coated with electrostatically applied baked powder paint. The mask is made of cold-rolled steel sheet and finished with electrostatically applied powder paint in white color.



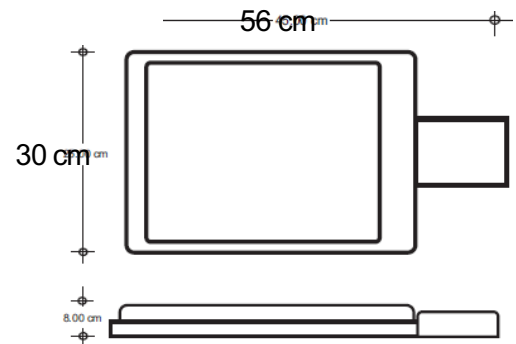
PHOTOMETRIC DATA



TECHNICAL DATA

LED Modules	3
Watts	110W
Color Temperature	5000 K
Lumens	11,500
Average Life	50,000 hours

DIMENSIONS

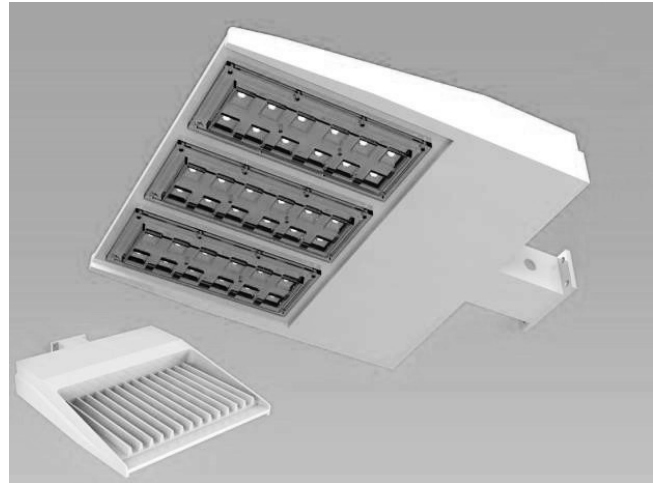


MODEL:

PLG-LED-120-WPKI-III-PLP

CHARACTERISTICS

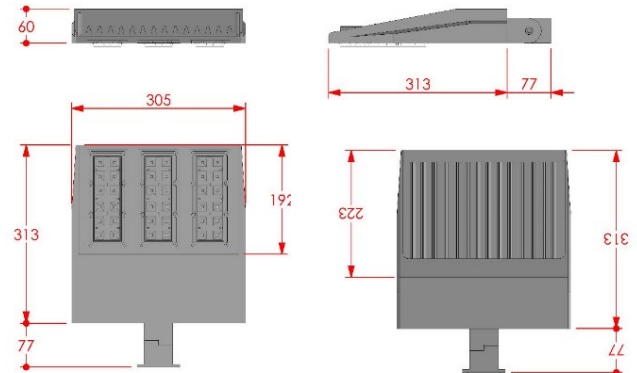
The lighting unit features an LED system designed for a square straight post, and it is made of aluminum. It is coated with electrostatically applied baked powder paint for a durable finish. The base for the LED module is also made of aluminum. The optics have an IP65 protection rating, ensuring resistance to dust and water ingress, making it suitable for outdoor use.



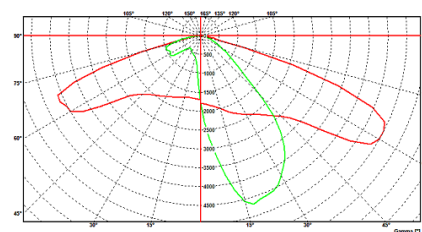
TECHNICAL DATA

LED Modules	3
Watts	120W
Color Temperature	4000 K
Lumens	13,500
Average Life	50,000 hours

DIMENSIONS



PHOTOMETRIC DATA

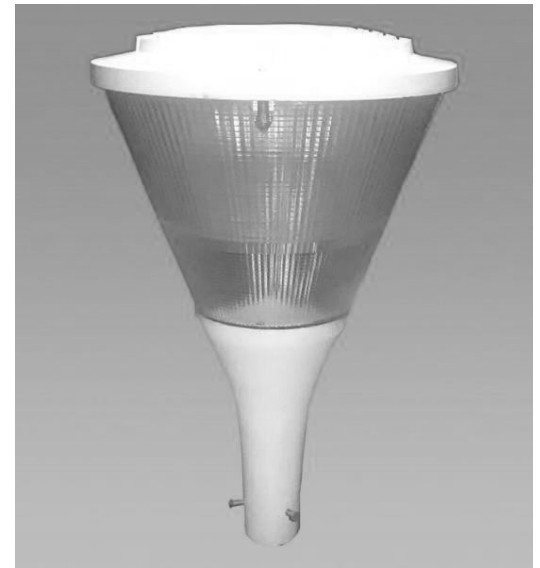


MODEL:

PLG-LED-60-FTR-AP-PLP

CHARACTERISTICS

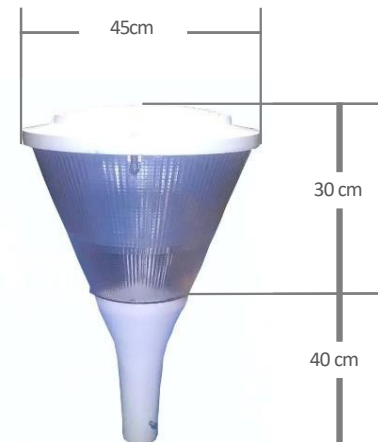
The lighting unit is designed for public lighting. The frame is made of cast aluminum, and the "top"-shaped cover is made of aluminum sheet with a rejected process finish. It is coated with electrostatically applied powder paint and oven-dried in white color. The diffuser is a cone-shaped prism acrylic.



TECHNICAL DATA

LED Modules	2
Watts	60W
Color Temperature	4000 K
Lumens	7,000
Average Life	50,000 hours

DIMENSIONS



MODEL:

PLG-LED-70-CAP-AP-CT

CHARACTERISTICS

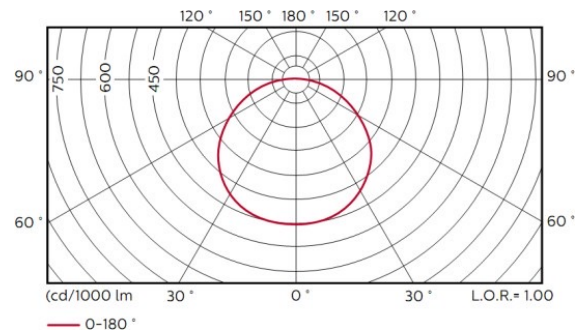
The lighting unit is designed for public lighting. The frame and cover are manufactured using cast aluminum and finished with electrostatically applied powder paint, which is then oven-dried. Neoprene gaskets are used to ensure a tight seal. The main reflection mask is made of cold-rolled steel sheet with a gauge of 20, and it is finished with electrostatically applied powder paint in white color. The diffuser is made of clear tempered glass with a thickness of 4 mm.



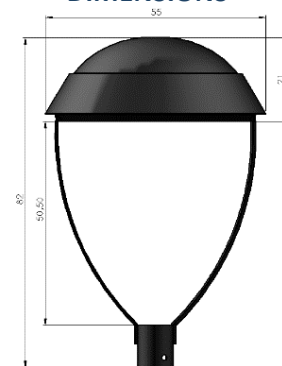
TECHNICAL DATA

LED Modules	2
Watts	70W
Color Temperature	5700 K
Lumens	7,600
Average Life	50,000 hours

PHOTOMETRIC DATA



DIMENSIONS



MODEL:

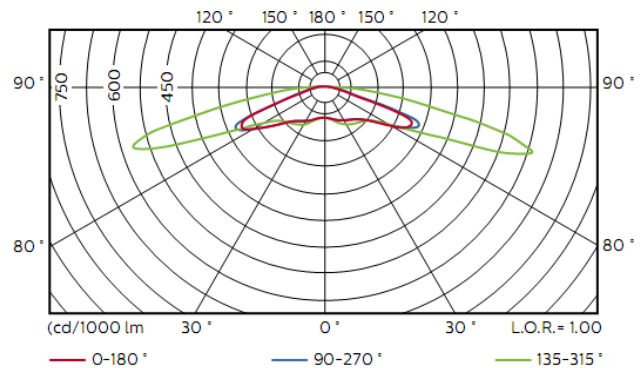
PLG-LED-130-CAP-AP-CT

CHARACTERISTICS

The lighting unit is designed for public lighting. The frame and cover are manufactured using cast aluminum and finished with electrostatically applied powder paint, which is then oven-dried. Neoprene gaskets are used to ensure a tight seal. The main reflection mask is made of cold-rolled steel sheet with a gauge of 20, and it is finished with electrostatically applied powder paint in white color. The diffuser is made of clear tempered glass with a thickness of 4 mm.



PHOTOMETRIC DATA



TECHNICAL DATA

LED Modules	4
Watts	130W
Color Temperature	4000 K
Lumens	15,200
Average Life	50,000 hours

DIMENSIONS



MODEL:

PLG-LED-70-GLB-AP-CT

CHARACTERISTICS

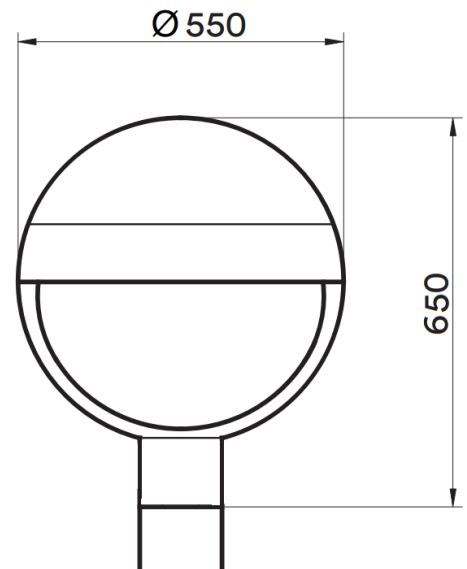
A post-top luminaire for public lighting. The upper frame is helmet-shaped, and the attaching arms are made of cast aluminum. It features an aluminum heat sink to reduce heat generated by the LED modules. Finished with electrostatically applied powder paint. The diffuser is made of tempered glass.



TECHNICAL DATA

LED Modules	2
Watts	70W
Color Temperature	4000 K
Lumens	8,000
Average Life	50,000 hours

DIMENSIONS



MODEL:

PLG-LED-90-HCD-AP-PLP

CHARACTERISTICS

A lighting unit for public lighting. The frame and hinged cover are manufactured using cast aluminum and finished with electrostatically applied powder paint to ensure a tight seal. The reflector is made of hydroformed anodized aluminum, and the interior decoration is made of anodized aluminum with a lantern-like design. There are four diffusers made of clear tempered glass.



TECHNICAL DATA

LED Modules	3
Watts	90W
Color Temperature	4000 K
Lumens	11,400
Average Life	50,000 hours

DIMENSIONS



MODEL:

PLG-LED-90-CHP-AP-PLP

CHARACTERISTICS

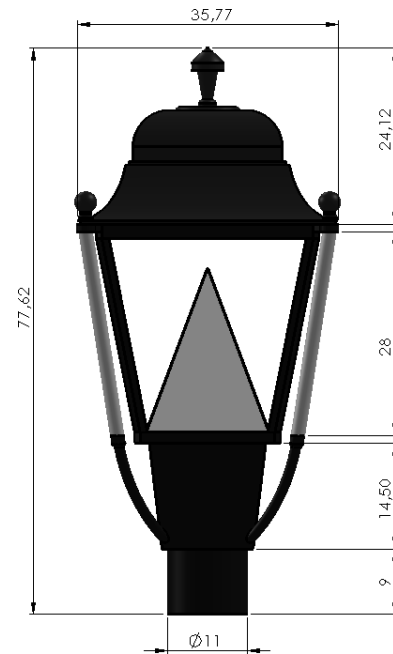
A post-top lighting unit. The frame is made of cast aluminum, and the cover is a hat-shaped design made of aluminum sheet with a spun processing type. It has a powder coating finish in electrostatically applied black color. The diffuser is made of 100% acrylic.



TECHNICAL DATA

LED Modules	3
Watts	90W
Color Temperature	4000 K
Lumens	11,400
Average Life	50,000 hours

DIMENSIONS



MODEL:

PLG-LED-90-VNS-AP-PLP

CHARACTERISTICS

PLG Brand Post-Top Luminaire. The frame is made of cast aluminum. The interior reflector is made of aluminum sheet with a "reject" processing type and a natural anodized finish. The cover is a hat-shaped design made of aluminum sheet with spun processing type and a natural anodized finish. The luminaire features an internal heat sink and an external heat sink to reduce the heat generated by the LED system's electrical equipment, thereby increasing its capacity and efficiency. It has a powder coating finish in electrostatically applied gray color.



TECHNICAL DATA

LED Modules	2
Watts	90W
Color Temperature	4000 K
Lumens	9,000
Average Life	50,000 hours

DIMENSIONS



MODEL:

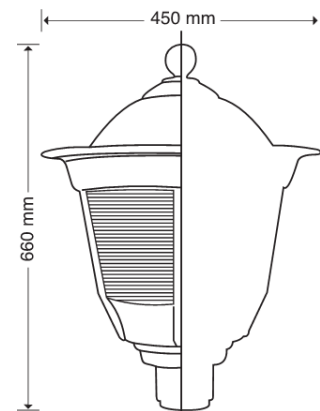
PLG-LED-100-MX-AP-PLP

CHARACTERISTICS

Post-Top Luminaire unit. The frame is made of cast aluminum. The hat-shaped cover is made of hydroformed aluminum sheet with a gauge of 18. The reflector is made of anodized aluminum and is attached to the cover. It has a powder coating finish in electrostatically applied black color. The hardware and galvanized screws have a tropicalized finish for added durability. The diffuser is made of translucent polycarbonate, resistant to impact, and has a textured surface that enhances the light output.



DIMENSIONS



TECHNICAL DATA

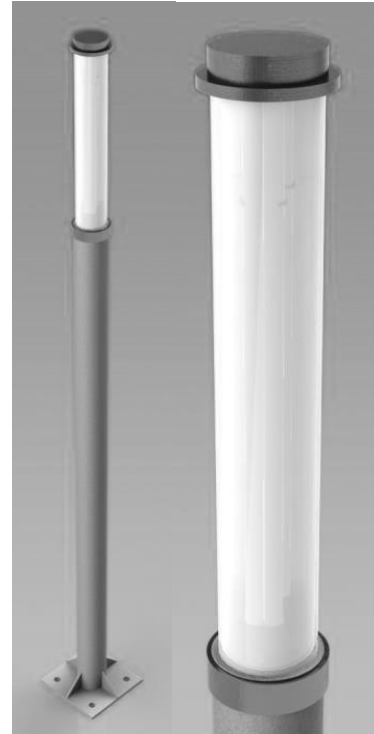
Watts	100W
Color Temperature	5700 K
Lumens	10,500
Average Life	50,000 hours

MODEL:

PLG-LED-55-FNX-AP-AOP

CHARACTERISTICS

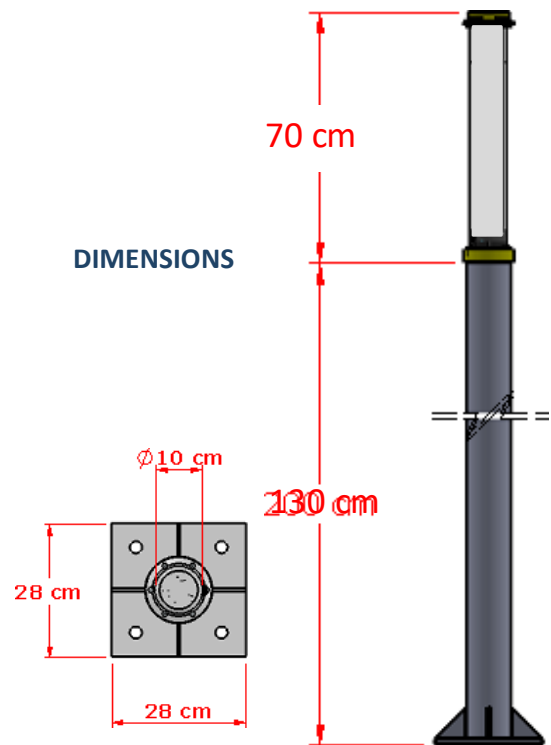
The base is made of cast aluminum and has a 1" threaded connection for attachment to the pole. It is painted in a gray color and includes a neoprene gasket and 3 Ø1/4" Allen-type set screws to ensure secure fastening. The unit is equipped with an encapsulated activated carbon filter enclosed in perforated mesh sheeting, allowing for ventilation while preventing insects and moisture buildup. The filter is attached to the body using rivets. The diffuser is made of 3mm thick opal white polycarbonate with UV protection and resistance to yellowing. The top cover is made of cast aluminum and secured with 5 nickel-plated acorn-type nuts.



TECHNICAL DATA

Watts	55W
Color Temperature	5700 K
Lumens	5,600
Average Life	50,000 hours

DIMENSIONS



MODEL:

PLG-LED-40-FNX-AP-AOP-T8

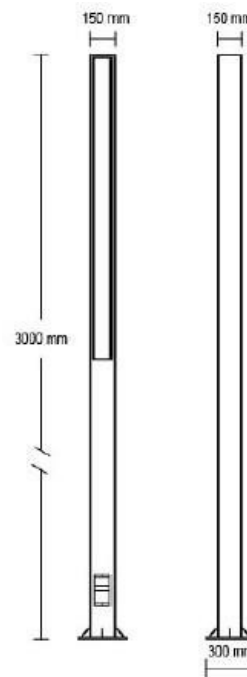
CHARACTERISTICS

The lighting unit is designed for surface-mounted installation on a post. It features a square tubular steel profile measuring 15 x 15 cm, with a height of 1.56 meters. A 3/8" steel plate is used to anchor the unit to the surface, with 1/4" thick brackets for reinforcement. The unit is finished with electrostatically applied powder coating and oven drying for enhanced durability. The light diffuser is made of opal acrylic, providing a soft and diffuse illumination.



TECHNICAL DATA

LED Modules	2
Watts	36W
Color Temperature	4000 K
Lumens	3,600
Average Life	50,000 hours



DIMENSIONS



MODEL:

PLG-LED-20-FNX-AP-AOP

CHARACTERISTICS

The exterior lighting unit is a "Bollard" type with a height of 57 cm and a diameter of 22 cm. It is manufactured using seamless heavy-duty aluminum casting and is finished with an electrostatically applied polyester powder coating in an Aluminum color. The unit is sealed to prevent external contaminants from entering, making it suitable for humid environments. It is certified for use in such conditions. The unit features an impact-resistant opal acrylic lens with a thickness of 1/4".



TECHNICAL DATA

LED Modules	1
Watts	20W
Color Temperature	4000 K
Lumens	2,000
Average Life	50,000 hours



MODEL:

PLG-LED-90-AEL-AP-PLP

CHARACTERISTICS

The lighting unit is a post-top type, featuring a spherical prismatic refractor that is impact-resistant. It is sealed with a neoprene gasket to ensure protection against external elements. The LED modules are mounted on a 10-gauge aluminum sheet, which also acts as a heat sink for the electrical components. The canopy or base is made of aluminum sheet. The unit is finished with a powder coating that includes UV and corrosion inhibitors, applied electrostatically.



TECHNICAL DATA

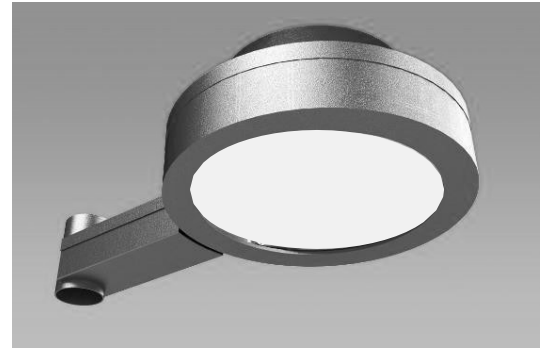
LED Modules	3
Watts	90W
Color Temperature	5700 K
Lumens	9,000
Average Life	50,000 hours

MODEL:

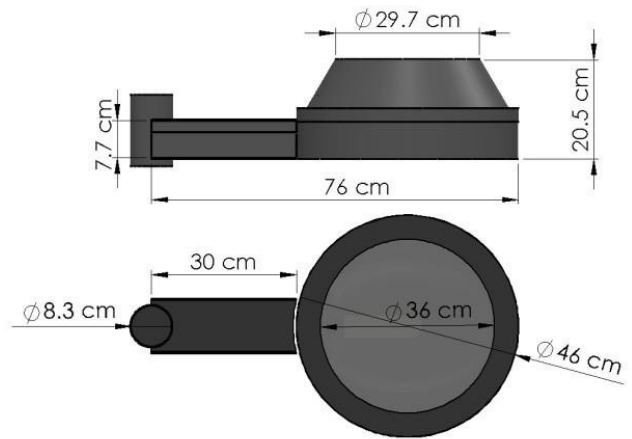
PLG-LED-70-MFR-AP-CT

CHARACTERISTICS

The lighting unit is designed for public lighting. The armature and cover are manufactured using cast aluminum and finished with a powder coating applied electrostatically and cured in an oven. Neoprene gaskets are used to ensure a tight seal. The lamp compartment features a reflector made of aluminum sheet with a semi-specular finish. The unit also includes a 4mm thick tempered clear glass diffuser.



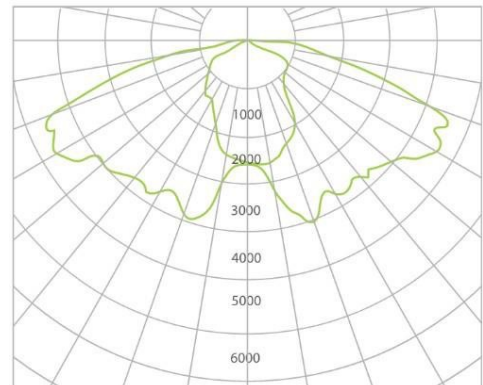
DIMENSIONS



TECHNICAL DATA

LED Modules	1
Watts	70W
Color Temperature	5700 K
Lumens	7,600
Average Life	50,000 hours

PHOTOMETRIC DATA



MODEL:

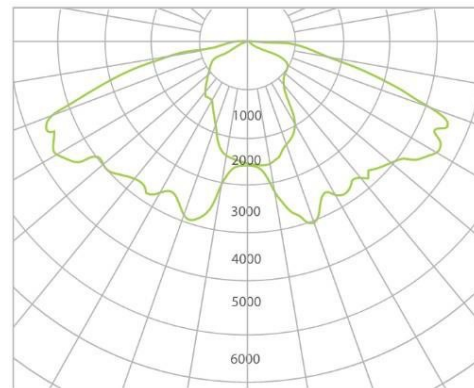
PLG-LED-90-CSM-AP-III (DOUBLE)

CHARACTERISTICS

The double lighting unit is designed for mounting on a post using fasteners. The armature and cover are manufactured using embossed aluminum and finished with a powder coating applied electrostatically and cured in an oven, giving them a dark gray color. Neoprene gaskets are used to ensure a tight seal. The unit also includes a 4mm thick tempered clear glass diffuser.



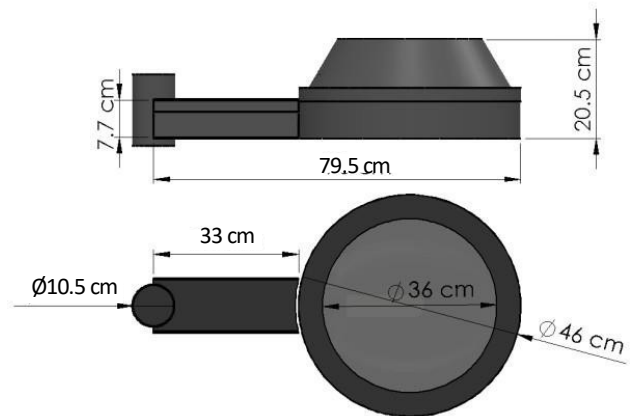
PHOTOMETRIC DATA



TECHNICAL DATA

LED Modules	6
Watts	180W
Color Temperature	4000 K
Lumens	21,600
Average Life	50,000 hours

DIMENSIONS



MODEL:

PLG-LED-60-BCO-AP-ACR

CHARACTERISTICS

The PLG brand Pointed Post Luminaire features an armature made of cast aluminum. The cover is constructed from aluminum sheet with a spun processing type and a natural anodized finish. The luminaire includes an internal heat sink and an external heat sink to reduce the heat generated by the electrical equipment of the LED system, thereby enhancing its capacity and efficiency. The luminaire is finished with a black electrostatic powder coating.



DIMENSIONS



TECHNICAL DATA

LED Modules	2
Watts	60W
Color Temperature	4000 K
Lumens	7500
Average Life	50,000 hours

MODEL:

PLG-LED-70-GVT-PP-CT

CHARACTERISTICS

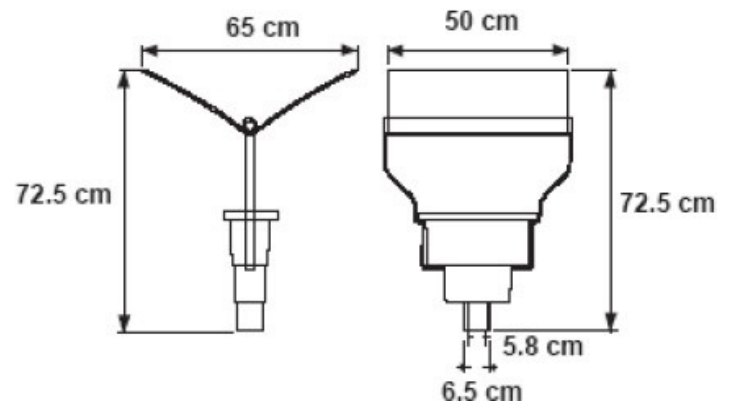
The unit is a public lighting luminaire. The cabinet is composed of a cast aluminum armature that undergoes a pre-painting treatment, including washing, degreasing, and phosphating, to ensure better paint adhesion. The external reflector is made of cold-rolled aluminum sheet and finished with a white electrostatic powder coating. It is secured in place by two iron angle brackets. The luminaire also features an internal semi-specular aluminum reflector.



TECHNICAL DATA

LED Modules	2
Watts	70W
Color Temperature	5700 K
Lumens	8000
Average Life	12,000 hours

DIMENSIONS



MODEL:

PLG-LED-70-FTR-AP-PLP

CHARACTERISTICS

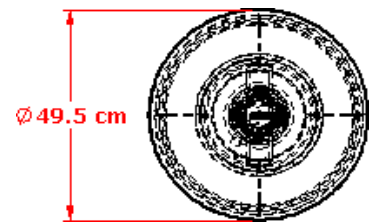
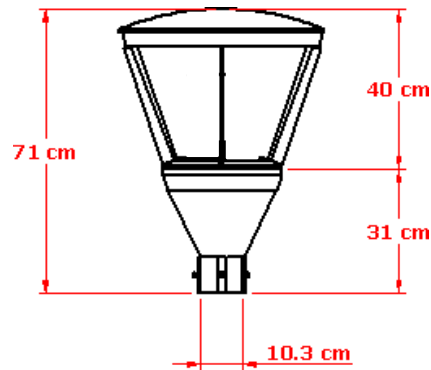
The unit is an outdoor lighting luminaire for public use. The armature is made of cast aluminum, providing durability and strength. The cover is designed in a top style and is manufactured using aluminum sheet with a rejected process, resulting in a textured surface. It is finished with an electrostatically applied powder coating in black color, which is then cured in an oven. This ensures a high-quality and long-lasting finish that enhances the overall aesthetic of the luminaire.



TECHNICAL DATA

LED Modules	2
Watts	70W
Color Temperature	4000 K
Lumens	8,000
Average Life	50,000 hours

DIMENSIONS



MODEL:

PLG-LED-75-HCD-AP-V-CT

CHARACTERISTICS

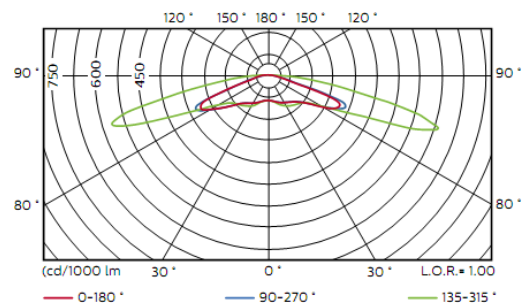
The lighting unit features an LED system designed in a lantern-style. The armature and gate are made of cast aluminum, providing durability and a sleek look. The LED modules are mounted on an aluminum sheet, which also acts as a heat sink, ensuring optimal performance and efficiency of the electrical system. The transparent diffuser is made of tempered glass, offering impact resistance and allowing for the effective dispersion of light. The reflector is made of cold-rolled steel, finished with an electrostatically applied powder coating in white color, providing a clean and attractive appearance.



TECHNICAL DATA

LED Modules	2
Watts	75W
Color Temperature	3000 K
Lumens	8,000
Average Life	50,000 hours

PHOTOMETRIC DATA



MODEL:

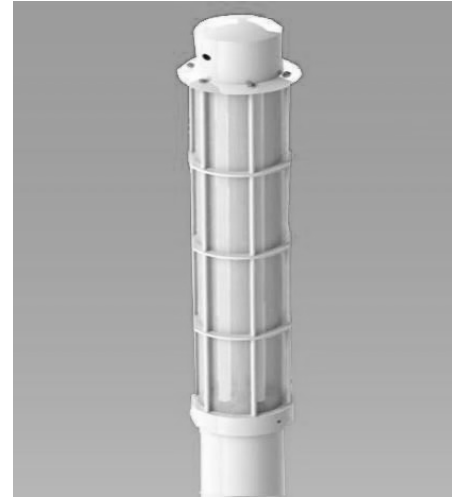
PLG-LED-50-FNX-AP-AOP

CHARACTERISTICS

The base is made of cast aluminum and has a 1" threaded connection for mounting on a pole. It is in white color and comes with a neoprene gasket and three Ø1/4" Allen type screws to ensure secure fastening. There are six tubular protections, each with a Ø1/4" size, connected by three aluminum rings with a diameter of 14 cm. The unit is equipped with an encapsulated activated carbon filter enclosed in a perforated mesh sheet, allowing for ventilation while preventing insects and moisture accumulation. The filter is securely attached to the body using rivets.

The diffuser is made of 3 mm thick white opaline polycarbonate, providing a soft and diffused light output. It offers protection against UV rays and yellowing, ensuring long-lasting performance. The top cover is made of rejected aluminum and painted in white color to match the overall design.

The luminaire is equipped with an integrated Ø1.06 cm photocell with an eyelet type attachment. It is secured to the fixture using five nickel-plated acorn nuts for reliable operation.



TECHNICAL DATA

LED Modules	4
Watts	50W
Color Temperature	5000 K
Lumens	5,500
Average Life	50,000 hours

DIMENSIONS

